

Motorized shut-off damper

DTBCU



Description

The DTBCU is a spring return damper which closes if the electrical power is off. The damper can be ordered with the following control option.

24 or 230 V on off motor

24 V motor with 2-10 V analog control signal (motortype **-SR**)

24 V motor with data bus control; Modbus, BACnet, MP-Bus (motortype **-MOBA**)

The motor has overload protection and stops automatically when the blade has reached its end stop. Although the current is connected, the motor is not damaged if blocked.

When the power is cut, the damper closes when the drive motor freewheels and the return spring pulls the blade back to its original position.

If you want the damper to open instead of close, you can undo the two nuts on the spindle clamp, turn the spindle 90° and tighten the nuts again.

In outdoor installation, the motor should be protected from direct UV radiation.

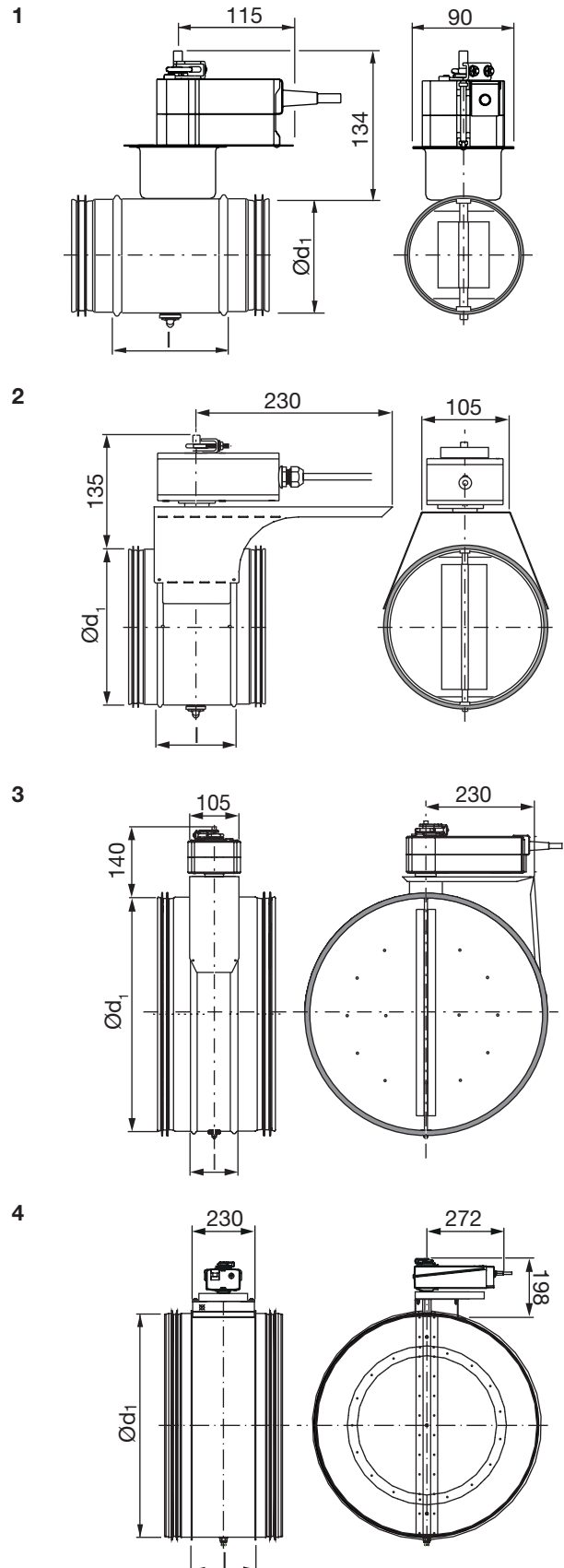
The motor is installed at a distance from the damper, which makes it easy to insulate the ventilation duct.

There is a separate assembly, measuring balancing and maintenance instruction for this product.

Ordering example

	DTBCU	200	24	TF
Product				
Dimension $\varnothing d_1$				
Voltage				
Motor type				

Design



Motorized shut-off damper

DTBCU

Ød ₁ nom	l [mm]	m [kg]	Motor type	Sealing class past closed blade	Pressure class in closed posi- tion	Design	Link to technical data for Belimo motors
80	100	1,06	TF-SR	4	C	1	TF24-SR
80	100	1,06	TF	4	C	1	TF24 TF230
80	100	2,54	NF-MOBA	4	C	3	NF24A-MOD
100	100	1,14	TF-SR	4	C	1	TF24-SR
100	100	1,14	TF	4	C	1	TF24 TF230
100	100	2,62	NF-MOBA	4	C	3	NF24A-MOD
125	100	1,29	TF-SR	4	C	1	TF24-SR
125	100	1,29	TF	4	C	1	TF24 TF230
125	100	2,77	NF-MOBA	4	C	3	NF24A-MOD
160	100	1,50	TF-SR	4	C	1	TF24-SR
160	100	1,50	TF	4	C	1	TF24 TF230
160	100	2,98	NF-MOBA	4	C	3	NF24A-MOD
200	100	1,90	TF-SR	4	C	1	TF24-SR
200	100	1,90	TF	4	C	1	TF24 TF230
200	100	3,58	NF-MOBA	4	C	3	NF24A-MOD
250	100	3,29	LF	4	C	2	LF24 LF230
250	100	3,39	LF-SR	4	C	2	LF24-SR
250	100	3,99	NF-MOBA	4	C	3	NF24A-MOD
315	100	3,91	LF	4	C	2	LF24 LF230
315	100	4,01	LF-SR	4	C	2	LF24-SR
315	100	4,61	NF-MOBA	4	C	3	NF24A-MOD
400	100	6,32	SFA	4	B	3	SFA
400	100	6,42	SF-SR	4	B	3	SF24-SR
400	100	6,52	SF-MOBA	4	B	3	SF24A-MOD
500	115	8,74	SFA	4	B	3	SFA
500	115	8,84	SF-SR	4	B	3	SF24-SR
500	115	8,94	SF-MOBA	4	B	3	SF24A-MOD
630	115	10,5	SFA	4	B	3	SFA
630	115	10,6	SF-SR	4	B	3	SF24-SR
630	115	10,7	SF-MOBA	4	B	3	SF24A-MOD
710	230	25,2	EF	4	A	4	EF24A EF230A
800	230	27,7	EF	4	A	4	EF24A EF230A

Technical data

For technical data go to [LindQST](#).

