

Lindab

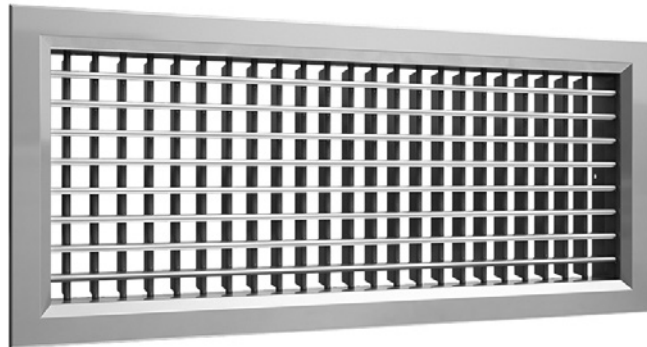
SD

Steel grilles - Installation instruction
Stål riste - Installations vejledning
Stålgaller - Montageinstruktion
Terässäleikot - Asennusohje
Stahl Lüftungsgitter - Montage Anweisung
Griglie in acciaio - Istruzioni di montaggio
Grilles en acier - Instructions de montage



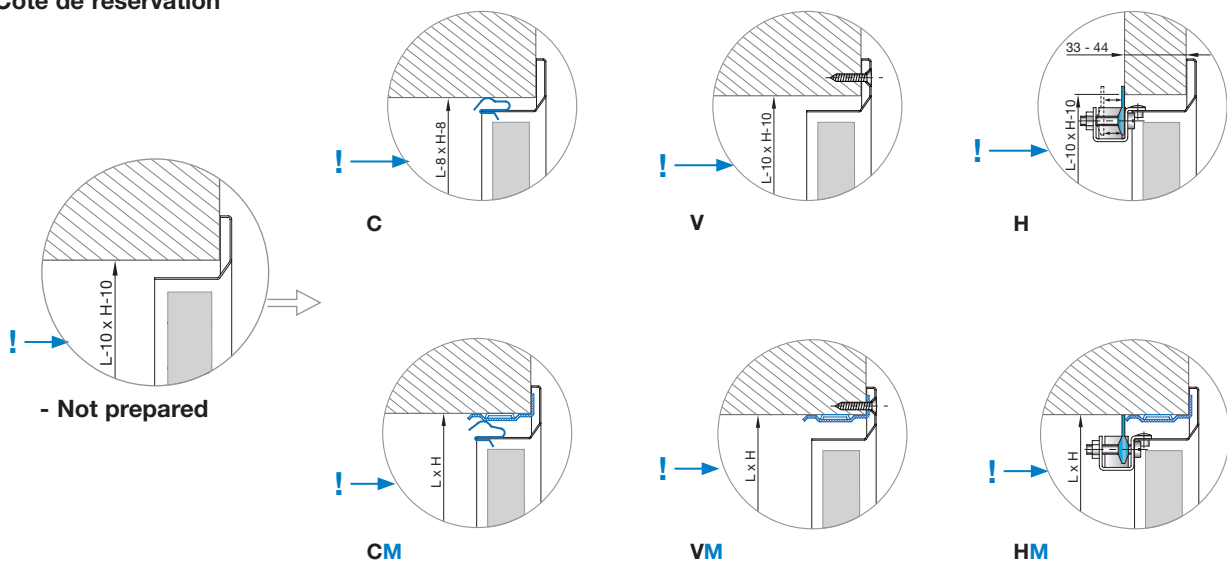
SD

Overview
 Oversigt
 Översikt
 Yleiskatsaus
 Übersicht
 Panoramica
 Aperçu



SD

Cutt-out dimensions
 Udkæringsmål
 Ursparning dimensioner
 Aukkomitat
 Aussparung
 Dimensione del foro
 Cote de réservation



Symbols
 Symboler
 Symboler
 Symbolit
 Simbole
 Simboli
 Symboles



Open damper
 Åbent spjæld
 Öppet spjäll
 Säätopelti auki
 Geöffnete Drossel
 Serranda aperta
 Registre ouvert



Closed damper
 Lukket spjæld
 Stängt spjäll
 Suljettu säätopelti
 Geschlossene Drossel
 Serranda chiusa
 Registre fermé

SD

Accessories
 Tilbehør
 Tillbehör
 Lisävarusteet
 Zubehör
 Accessori
 Accessoires

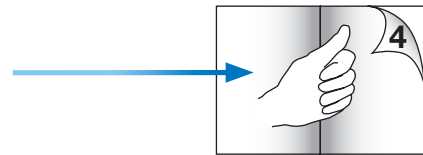
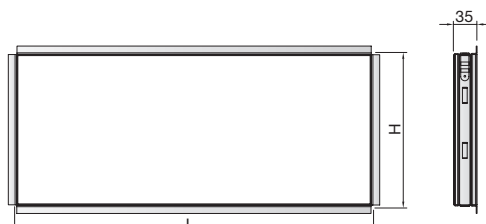


MFS

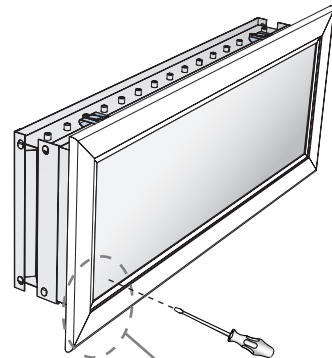
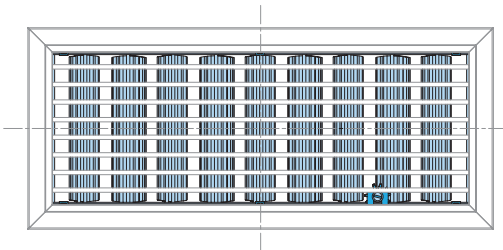
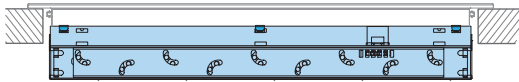


DGS

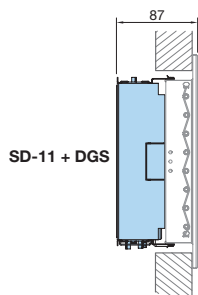
MFS



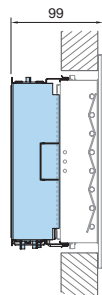
SD



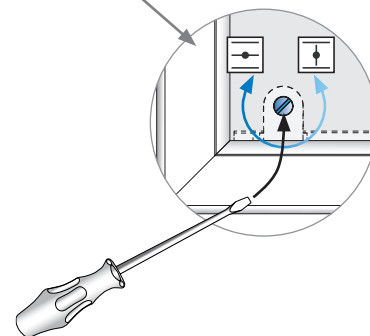
SD



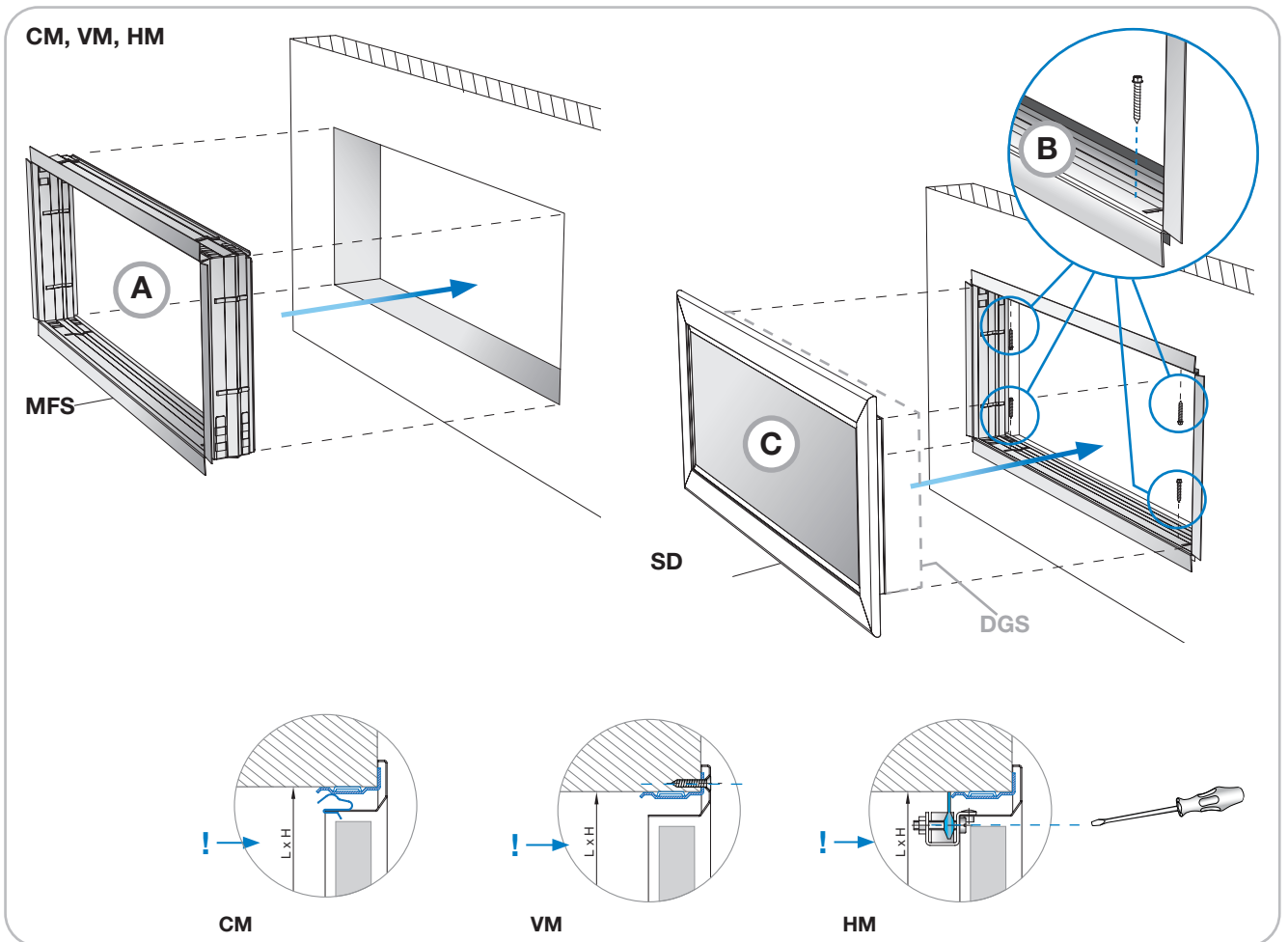
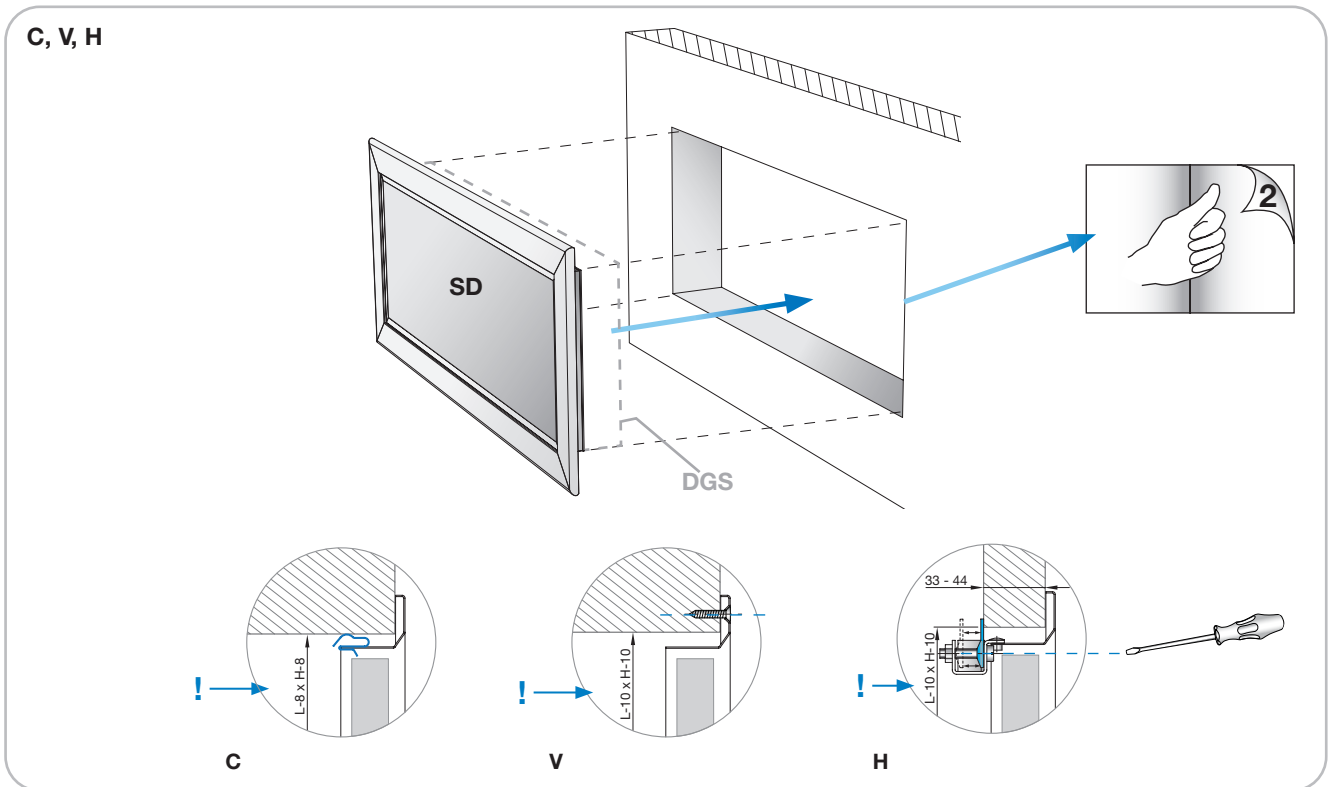
SD-11 + DGS



SD-21 + DGS

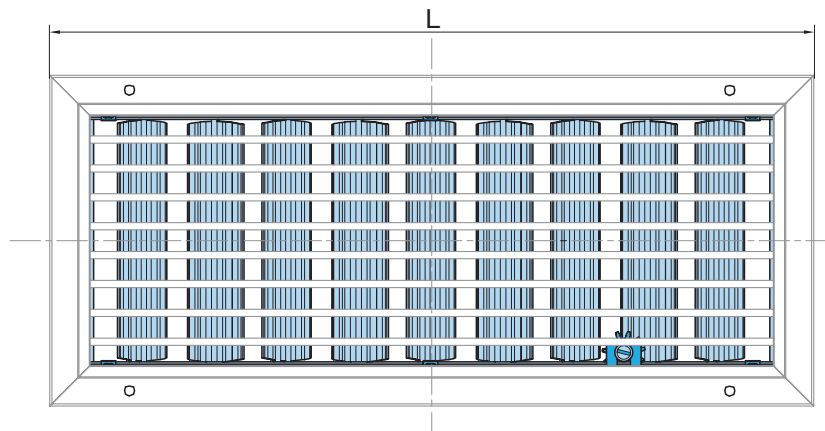
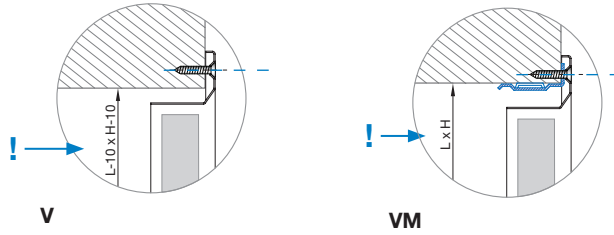


SD



SD

Number of Visible screw holes
 Antal synlige skruehuller
 antal synliga skruvhål
 Näkyvien ruuvireikien lukumäärä -FIN
 Anzahl sichtbare Schraubenlöcher
 Numero di fori visibili
 Nombre de trous pour vis visibles

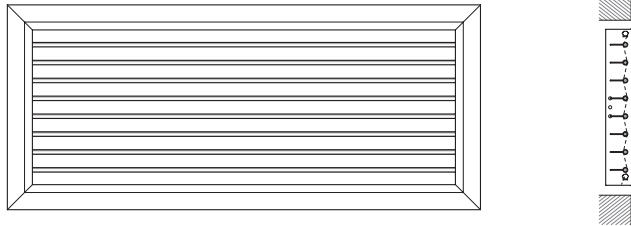


L	No. of holes (V) on side L
200-425	2
500-825	3
900-1225	4

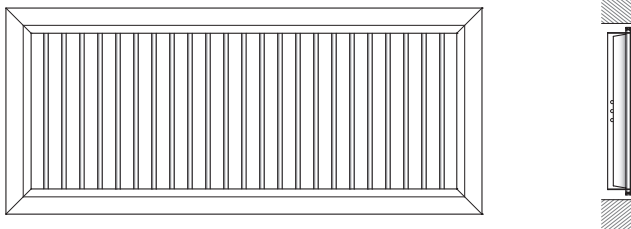
SD

Adjustable blades
Justerbare lameller
Ställbara lameller
Säädettävät säleät
Einstellbaren Lamellen
Alette regolabili
Ailettes réglables

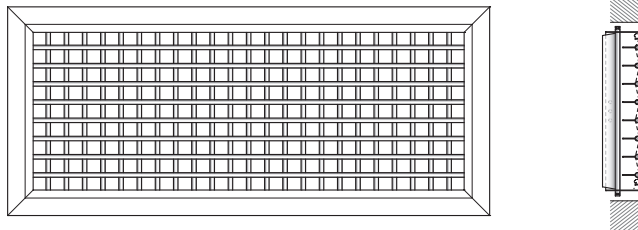
SD-11



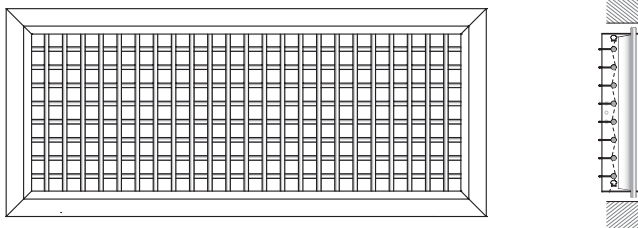
SD-12



SD-21



SD-22





Most of us spend the majority of our time indoors. Indoor climate is crucial to how we feel, how productive we are and if we stay healthy.

We at Lindab have therefore made it our most important objective to contribute to an indoor climate that improves people's lives. We do this by developing energy-efficient ventilation solutions and durable building products. We also aim to contribute to a better climate for our planet by working in a way that is sustainable for both people and the environment.

[Lindab | For a better climate](#)