

# Transition piece

# LORTR



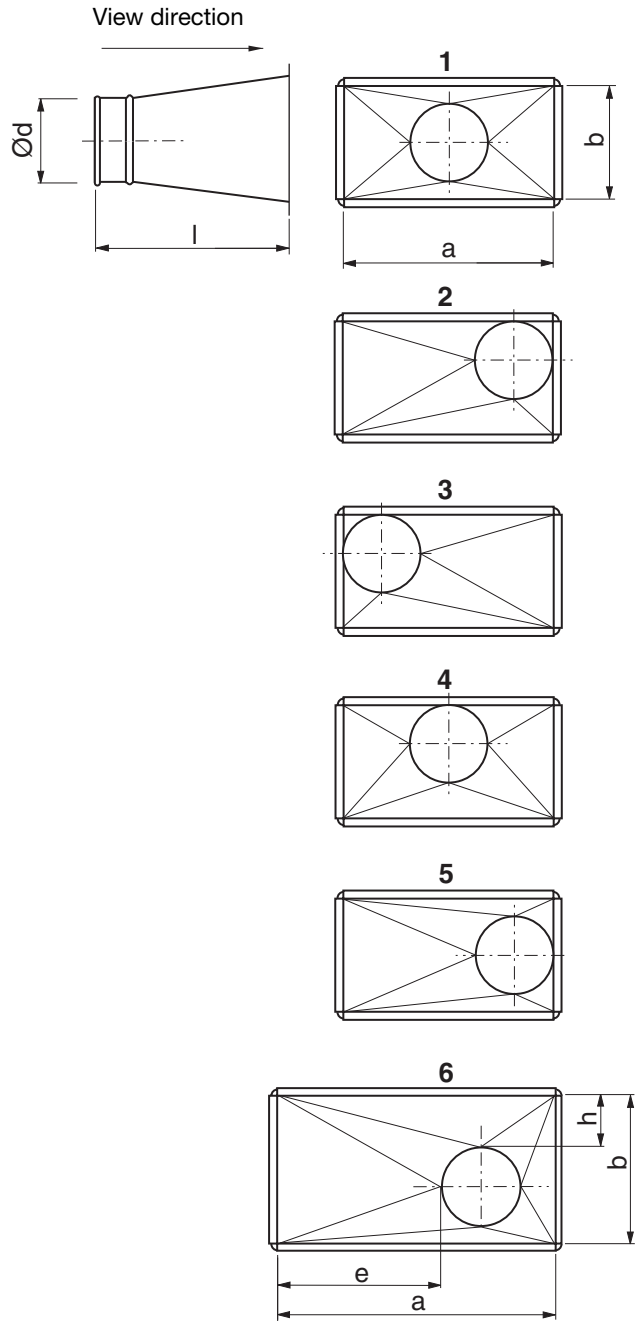
## Description

Coupling between Transfer and rectangular connection.

The measures e and h only need to be specified for alternative 6. A negative value for e, for example, means that e is outside side a.

The measures e and h only need to be specified for alternative 6. A negative value for e, for example, means that e is outside side a.

## Dimensions



## Ordering example

Product	LORTR	500	300	160	1
Largest side	a				
Smallest side	b				
Diameter in mm	Ød				
The alt. displacement are seen from the circular end 1-6					

a, b Largest side mm	l mm
100 – 350	300
351 – 750	450
751 – 1200	600