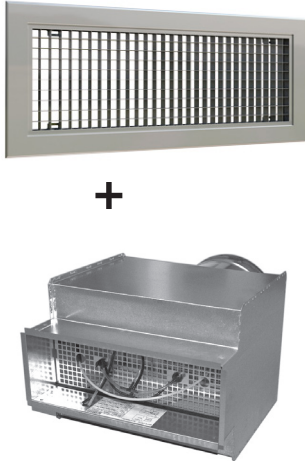


Grilles K-value

AE11

AE11 + VBA Supply

AE11 + VBA Supply	Dim	Connection		
		1 = Back	2 = Side	4 = Top
 <p>2 measuring tubes (Black = high pressure)</p>	200 x 100	7.5	7.4	7.2
	300 x 100	11.9	11.5	11.5
	400 x 100	15.4	15.4	15.0
	500 x 100	20.7	20.5	19.4
	300 x 150	18.1	17.7	17.5
	400 x 150	25.3	24.9	24.9
	500 x 150	32.5	31.1	31.2
	600 x 150	38.1	38.1	38.1
	400 x 200	39.8	35.5	37.3
	500 x 200	46.7	46.4	43.8
	600 x 200	60.3	58.7	56.0

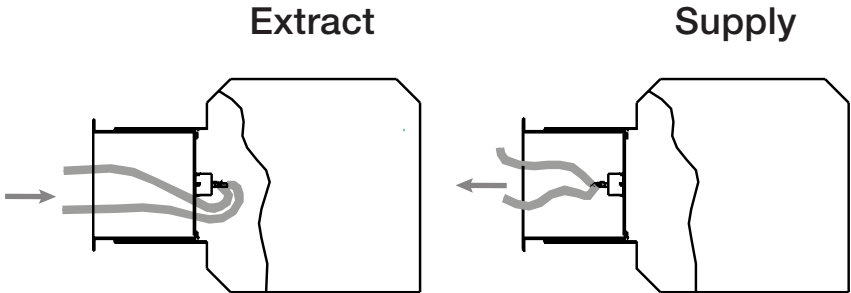
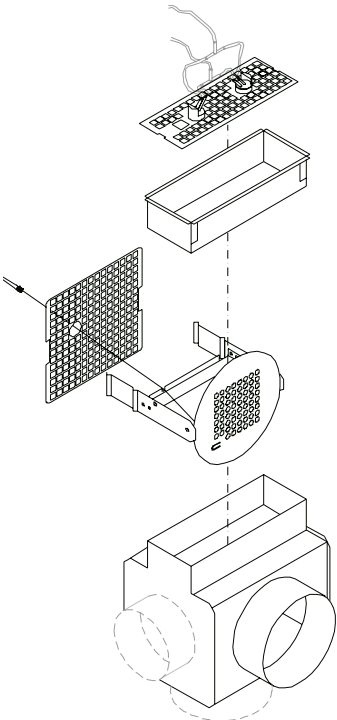
Calculation of air volumes:

$$q_v \text{ [l/s]} = k \times \sqrt{\Delta P \cdot l}$$

$$q_v \text{ [m}^3\text{/h]} = k \times \sqrt{\Delta P \cdot l} \times 3.6$$

Method accuracy:

+/- 10% ($\Delta P_i \geq 5 \text{ Pa}$)



VBA is delivered for supply air - turn the measuringplate for extract air.