

Access door

IPLSS



Description

High temperature resistance access door.

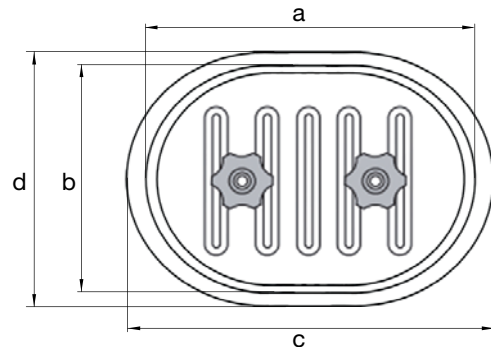
IPLSS is tested with the whole Lindab smoke evacuation system according to EN 1366-9.

Access door are flat and used for rectangular duct.

Materials

Access door Galvanized steel
Sealing gasket High temperature ceramic

Dimensions



Size nom	a [mm]	b [mm]	c [mm]	d [mm]
180 × 180	170	72	197	101
250 × 150	250	150	274	186
300 × 200	300	200	329	228
400 × 300	380	280	403	303
500 × 400	500	400	532	462

The format is oblong, and the radius of the 4 angles is equivalent to the small size divided by 2.

Technical specifications gasket

Dimension 4 × 18 mm
Density ±160 kg/m³
Temperature range -30°C / +1500°C

Ordering example

Product	IPLSS	200 × 100
Size		