



Lindab **Fasadium**

Installation instructions



Installation instructions

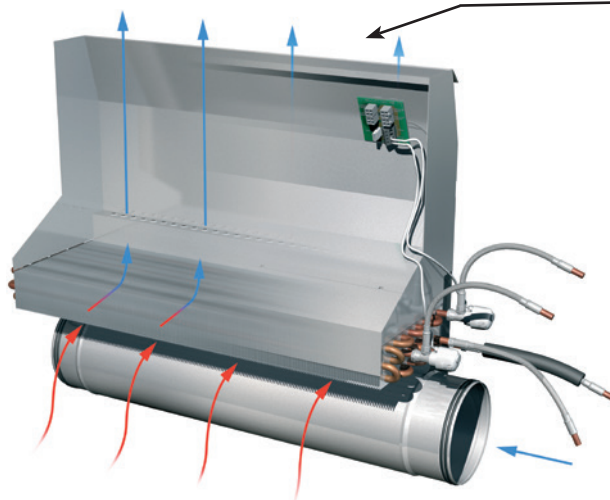
Fasadium



Contents	Page
Mounting	3-4
Hoses and connections.....	5
Control	6-7
Standardsektioner	8-10

Installation instructions

Fasadium



Size Air flows

Possible marking: See sign mounted on the inside of the front plate and on the transport box.

Note: Some parts have been removed for the sake of clarity.

Mounting

Important things for the installer to know or find out:

1. Height to bottom of window.
2. Thickness of the windowsill.
3. Which type of unit is it? (height, depth, length, duct dimension etc.).
4. Is the wall strong enough to support the unit, piping and cover?
5. Are there any special conditions that will affect the installation? E.g., the cover, curved walls etc.
6. Drawings showing the location of the unit.

Of the unit

1. The standard distance is 50-70 mm below the bottom of the windowsill, where a mark or line is drawn where the units are to be attached. Be consistent throughout the project. Exceptions from this measurement can be necessary, so find out if there are any special requirements, for instance from the person installing the cover. **Note** that the unit should have at least 300 mm of space from the wall to the right hand end of the unit, for the pipe support bracket and the cover.
2. Screw the mounting rail in place (Fig. 2). The rail is supplied with the unit and is suited to the length of the unit. Height wise, the screw holes in the rail should line up with the markings on the wall. Lengthwise, the rail's centre point should be adjusted as per the drawing, e.g. below the middle of the window.
3. Hang the unit on the mounting rail. Check that it is positioned properly, heightwise and lengthwise. Fasten it with four screws in the "ears" that are meant for this purpose, on the sides of the unit.

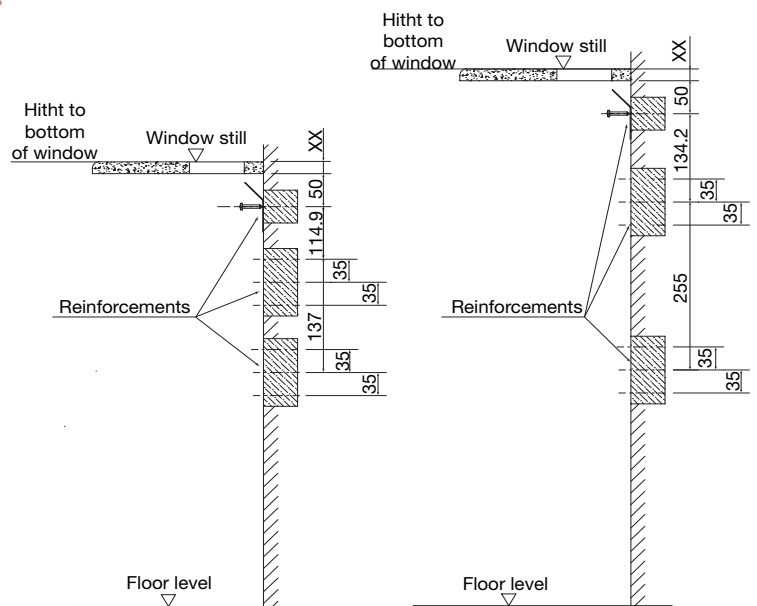


Figure 1. Dimensions for the strengthening of the wall.

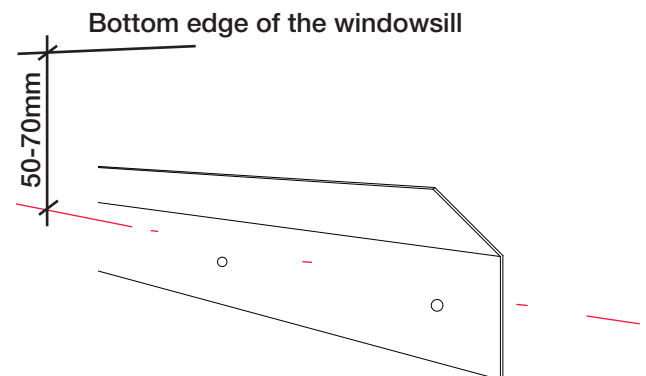


Figure 2 Mounting rail and markings.

Installation instructions

Fasadium

Mounting of the pipe support bracket

1. The pipe support bracket is located 160-170 mm (to the top screw hole) below the marks. The pipe support bracket must sit at least 200 mm from the right-hand end of the unit. (See figure 3).
2. The pipe support bracket consists of three main parts: a bent steel plate and two standard pipe clamps made of plastic. The parts are assembled on site with the two accompanying screws. The pipe support bracket is fastened to the wall with two screws (not supplied). The maximum distance between pipe support brackets is 1800 mm for hard copper piping.

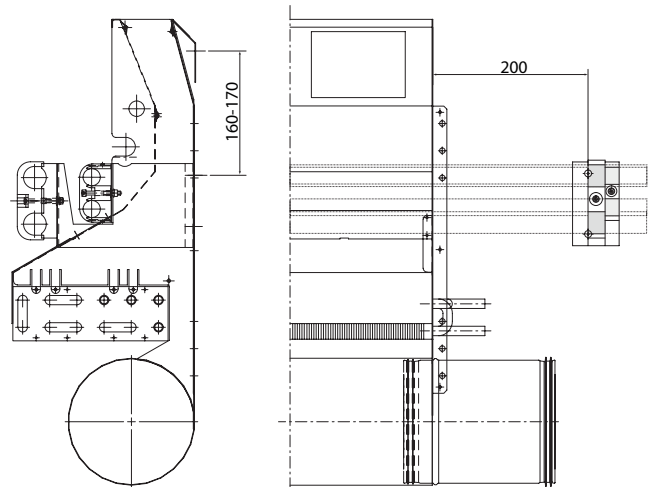


Figure 3. Distance between unit and pipe support bracket.

Mounting

Of the pipe system:

1. Start with the bottom $\text{Ø}22$ mm pipe and fasten it as figure 4.
2. Install a T connection on the pipe, without locking it in place.
3. Ensure that all pipe ends are deburred.
 - Cooling supply
 - Heating return
 - Cooling return
4. Check that everything is correct: Hose, T connection and pipe.
5. Lock the T connection in place.

NOTE!

- The hose must not be bent to a radius of less than 40 mm.
- Make sure the hose's highest point is not higher than the top pipes.
- The $\text{Ø}15$ copper pipe extension at the T connection must not point above the horizontal line of the main pipe.

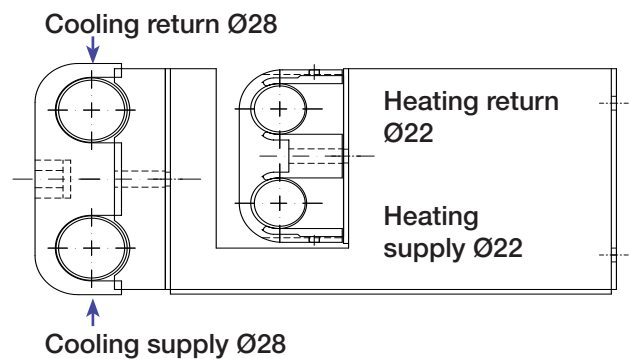


Figure 4.



At the end of every series of units, the $\text{Ø}22$ and $\text{Ø}28$ mm pipes must be fitted with an end kit with an air nipple. The copper pipes are 300 mm long and are installed in the last T connection of the series.

Installation instructions

Fasadium

Battery types

Figure 5.1 Shows a battery of Fasadium with unit length of ≤ 0.8 m.

Figure 5.2.1 Shows a battery of Fasadium with unit length of ≥ 1.0 m.

Figure 5.2.2, 5.2.3 and 5.2.4 Shows discontinued battery types of Fasadium with unit length of ≥ 1.0 m.

A = Supply
B = Return

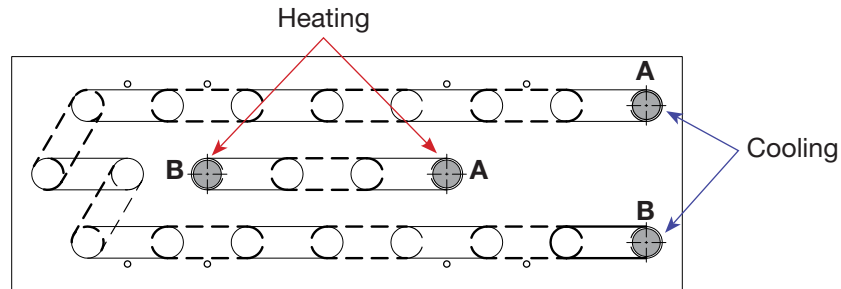


Figure 5.1

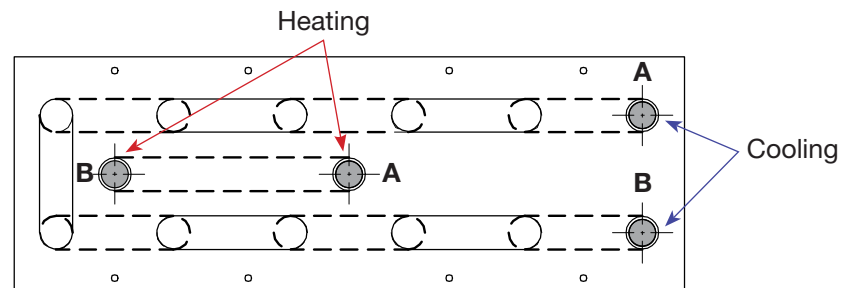


Figure 5.2.1

Discontinued battery types

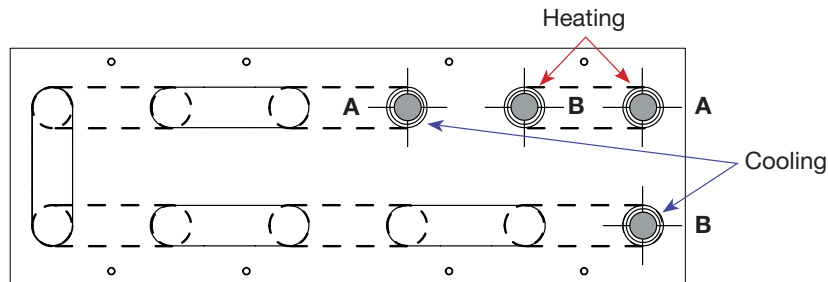


Figure 5.2.2 Discontinued in 2014.

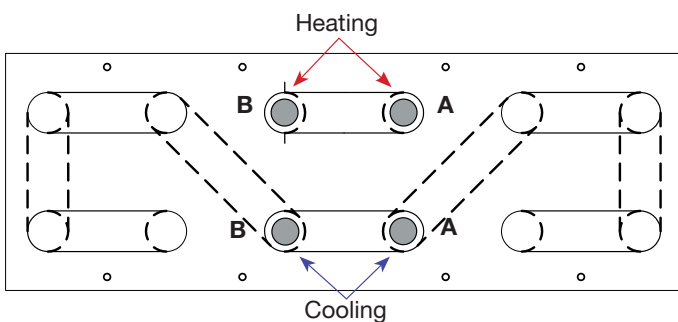


Figure 5.2.3 Discontinued in 2009.

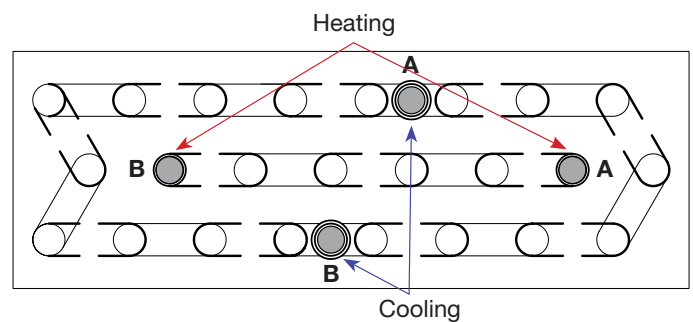


Figure 5.2.4 Discontinued in 2007.

Mounting of ventilation ducts

The ventilation ducts that are supplied may need to be cut to the right length before they are installed between the units and secured with screws. 2 self-tapping screws are used for $\text{Ø}100$ ducts, 3 for $\text{Ø}160$ ducts and 4 for $\text{Ø}200$ ducts. Take care not to drill into the rubber seals in the nipples.

Installation instructions

Fasadium

Control

A. Regulation unit
Regula combi.

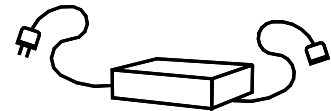


B. Regula cable located between The Regula Combi and the Fasadium unit. (sold separately).
Cable order no.: 682515,
Length: 4.0 m.



C. Used when linking multiple Fasadium units together. (sold separately).
Cable order no.: 682511,
Length: 2.0 m.

D. Link extension cable required when c/c dimension of units exceeds 1.5 m (sold separately).
Cable order no.: 682512 / 682513
Length: 4.0 m / 6.0 m.



E. Transformer 35VA, max 8 units
105VA, max 25 units.
(sold separately).
Link to [Transformer](#)

After the devices are mounted and connections are complete the control cables are assembled.

The Regula cable is used to establish a connection between the Regula Combi regulation unit and a Fasadium unit.

The Link cable is a four pin cable, supplying pass-through power, heating and cooling signal. The Link cable is used to connect multiple Fasadium units in series.

Connection between the Regula Connect basic and the thermal actuators is done by the cable attached to the actuator open delivery.

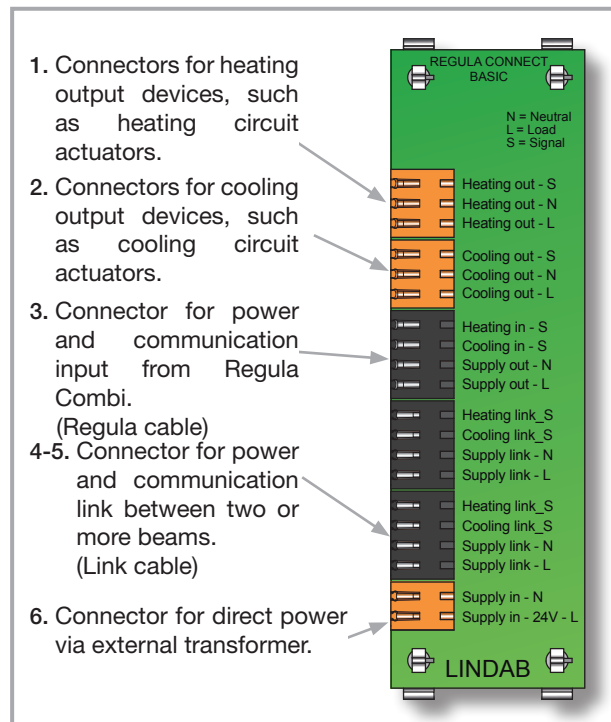
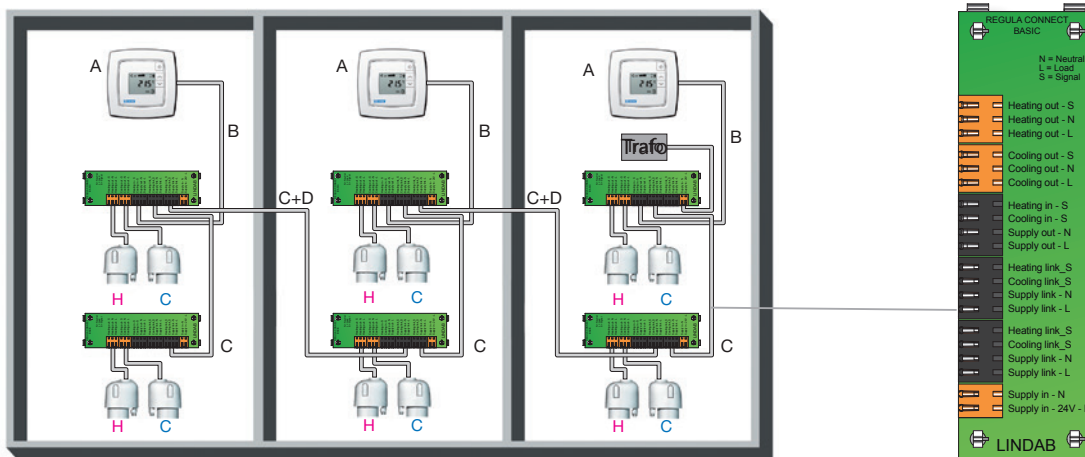


Figure 6. Connection card.



For best result, connect the regulation unit to the center Fasadium of the zone.

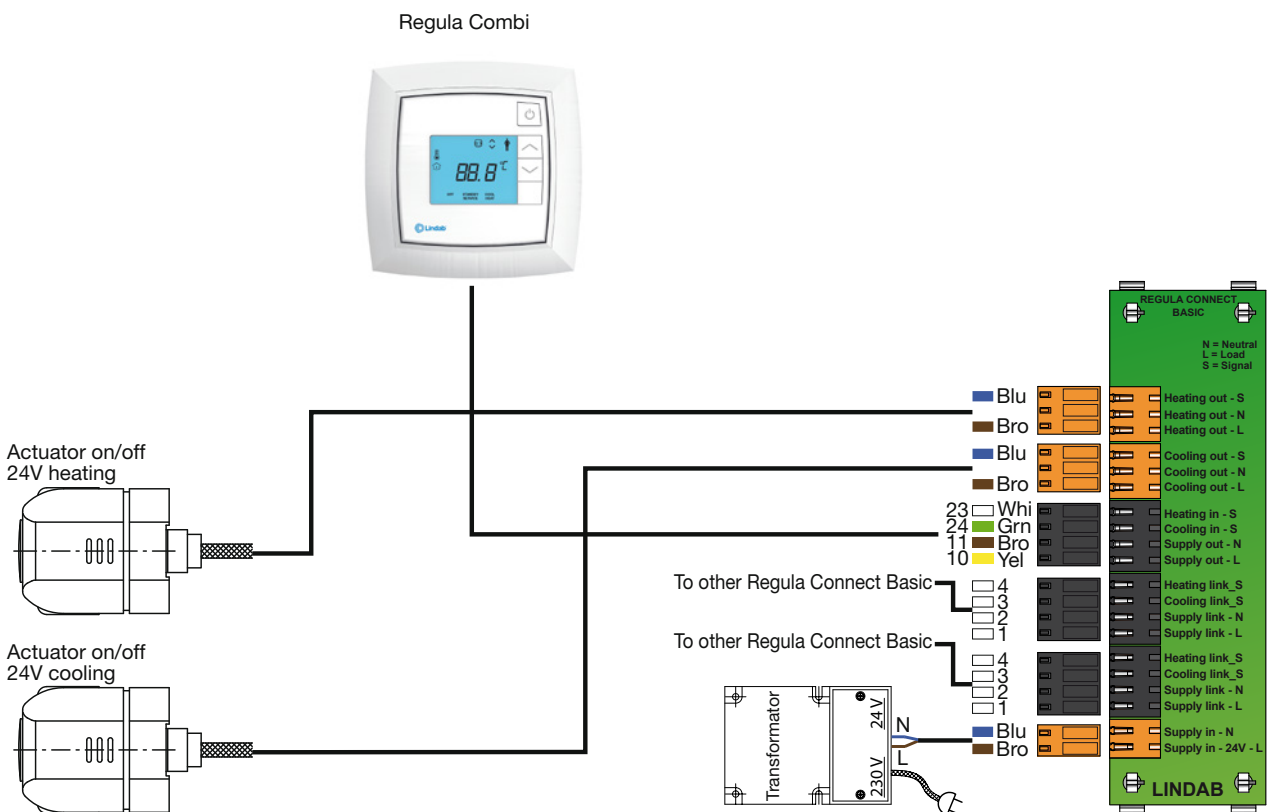
Installation instructions

Fasadium

Regula Combi

Wiring scheme for connecting Fasadium to Regula Combi.

For actual wiring scheme please use the wiring scheme configurator at www.lindQST.com.



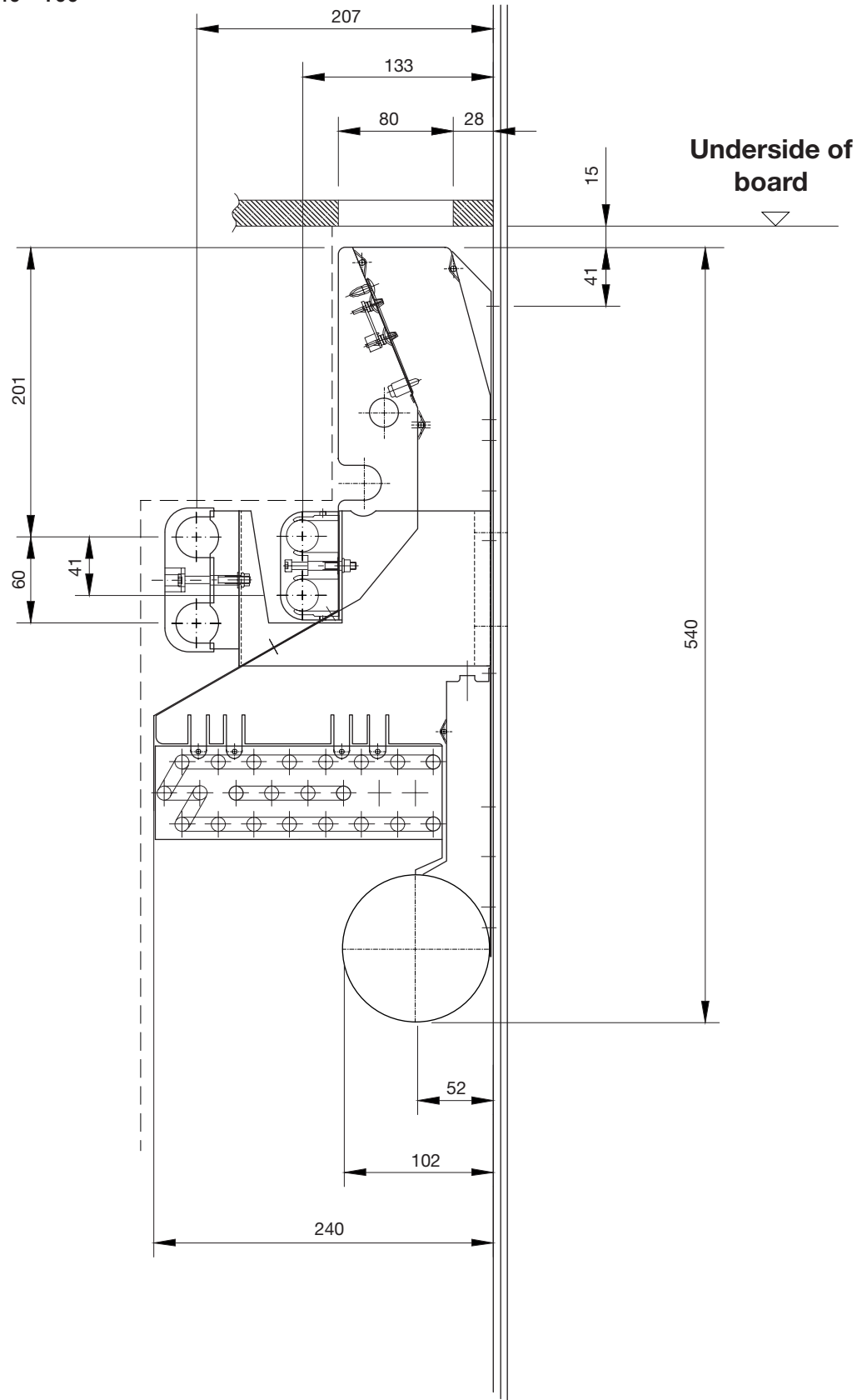
NB! The thermostat cable uses screw connection to the connectors on Regula Combi.

Installation instructions

Fasadium

Fasadium with connection Ø100 mm

Fasadium 700 - 540 - 100

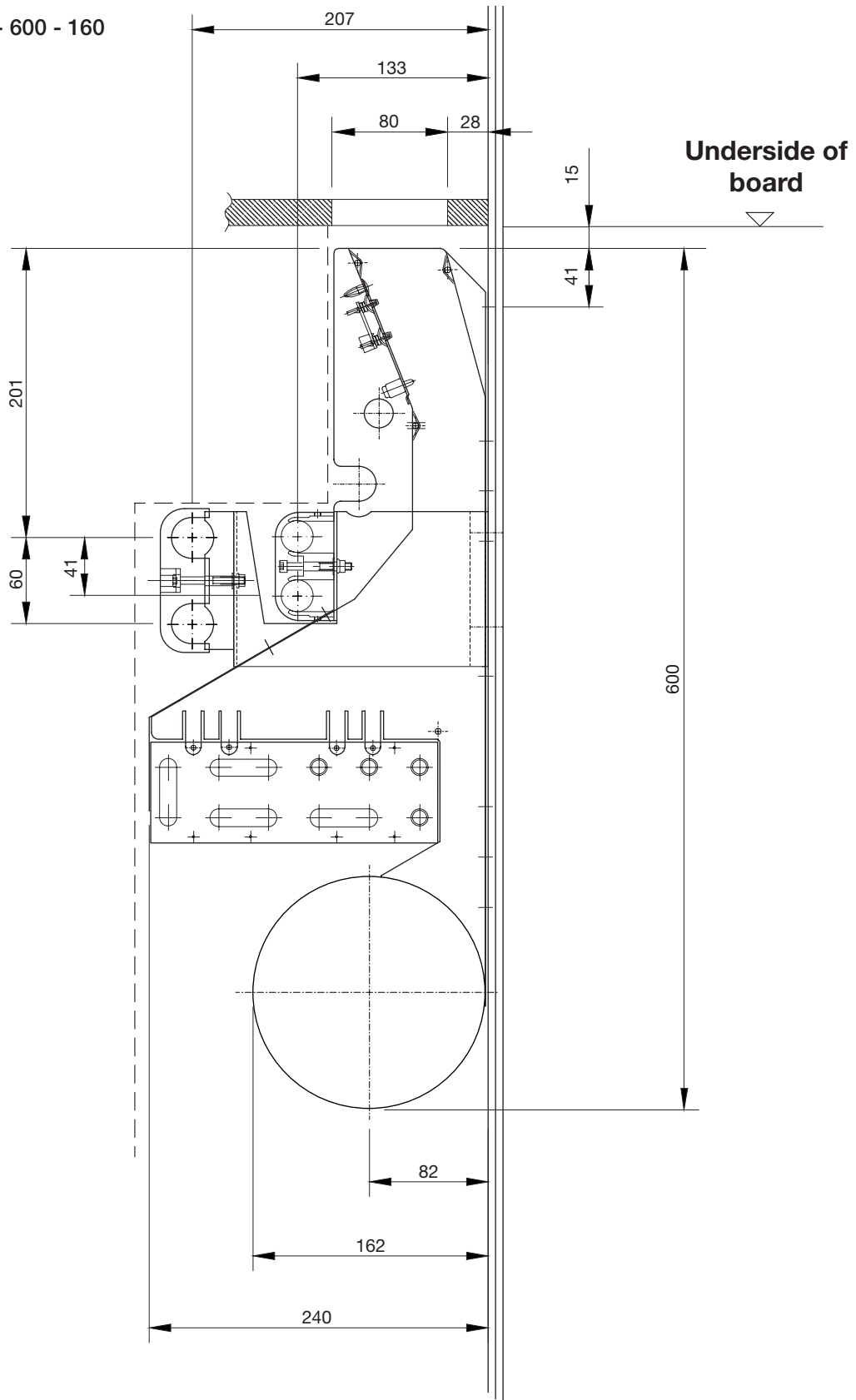


Installation instructions

Fasadium

Fasadium with connection Ø160 mm

Fasadium 1000 - 600 - 160

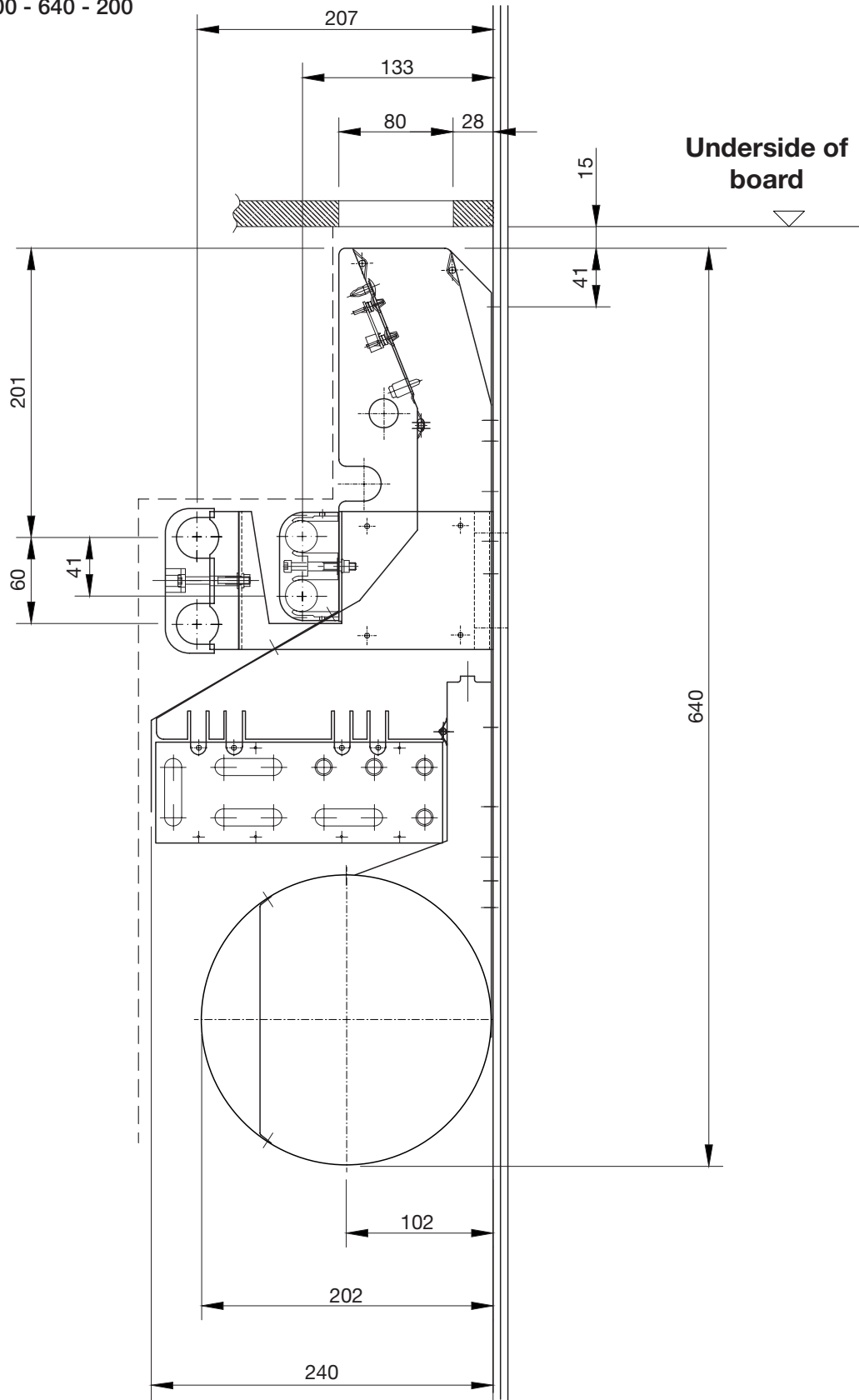


Installation instructions

Fasadium

Fasadium with connection Ø200 mm

Fasadium 1500 - 640 - 200





Most of us spend the majority of our time indoors. Indoor climate is crucial to how we feel, how productive we are and if we stay healthy.

We at Lindab have therefore made it our most important objective to contribute to an indoor climate that improves people's lives. We do this by developing energy-efficient ventilation solutions and durable building products. We also aim to contribute to a better climate for our planet by working in a way that is sustainable for both people and the environment.

[Lindab | For a better climate](#)