

Extract air terminal device

EXAD

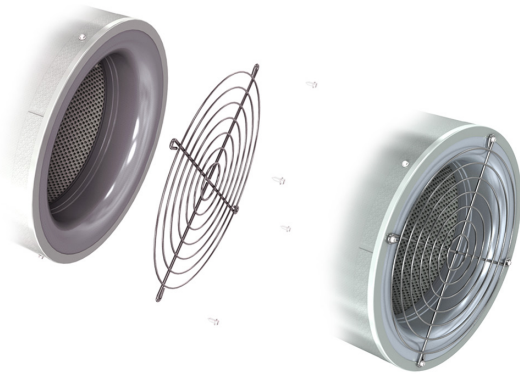


Description

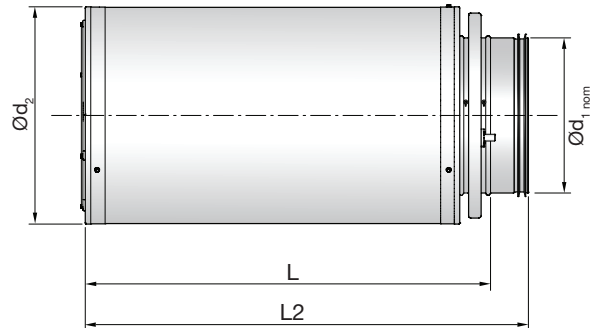
EXAD is an extract air terminal device consisting of a conical inlet, a silencer with Acutec® polyester insulation and a DIRU damper. Sizes available are Ø250, Ø315 and Ø400 mm.

EXAD is a device designed for large air volumes between 50 - 600 l/s, especially suitable for industry, sport and exhibition halls, shopping centers etc.

Wire guard is an accessory option.



Dimensions and sound data



Ød ₁ nom	l [mm]	Ød ₂ [mm]	Insulation thickness [mm]	m [kg]
250	712	357	50	9,7
315	713	422	50	11,6
400	720	565	80	17,7

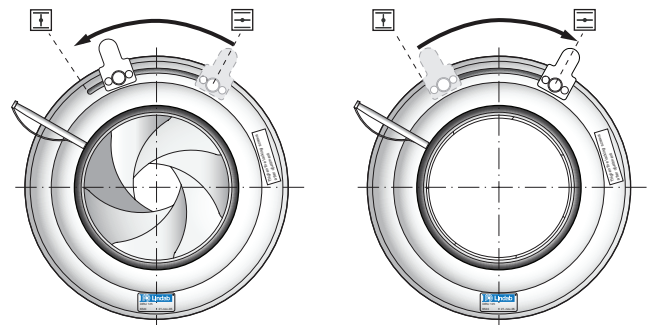
Self attenuation

The self attenuation of the device from duct to room including end reflection.

Ød ₁ nom	Insertion loss [dB] for centre frequency [Hz]							
	63	125	250	500	1k	2k	4k	8k
250	15	20	14	21	16	18	14	12
315	9	14	11	13	15	16	12	13
400	11	10	12	12	14	12	14	13

DIRU-damper unit

The EXAD models come with the DIRU "Iris"-damper. The DIRU includes a handle for adjusting the airflow and fixed measurement to provide accurate flow measurements.



Go to installation instruction dampers (DIRU) for balancing.

Material and surface treatment

EXAD is manufactured from galvanized sheet metal. Painted finish is available on request. EXAD can be cleaned in the same manner as the ducting system with a nylon brush. The external parts should be wiped with a damp cloth.

Order code

Product	EXAD	d	O/N
EXAD			
Connection dim. Ød₁			
Ød ₁ nom = 250-400 mm			
Wire guard option			
0 = Without net			
N = With net			

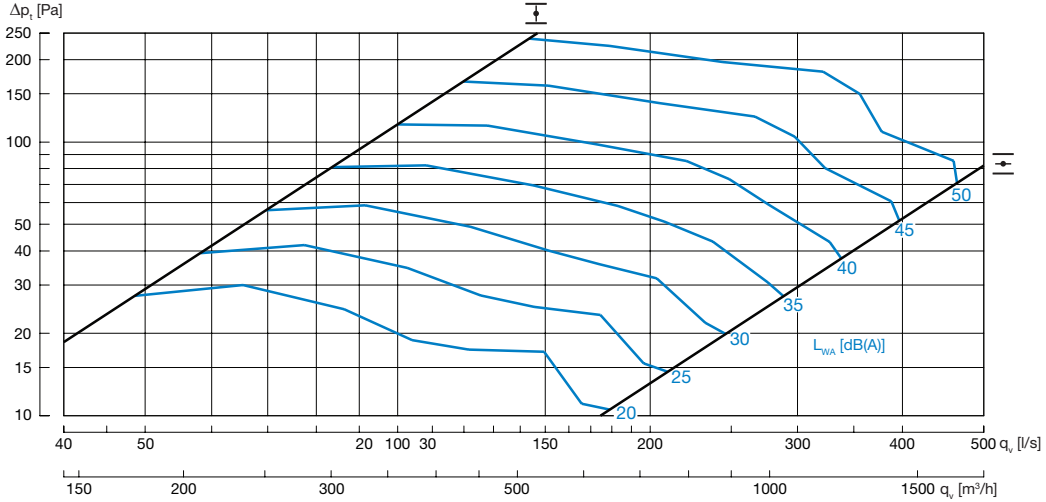
Example: EXAD - 315 - N

Extract air terminal device

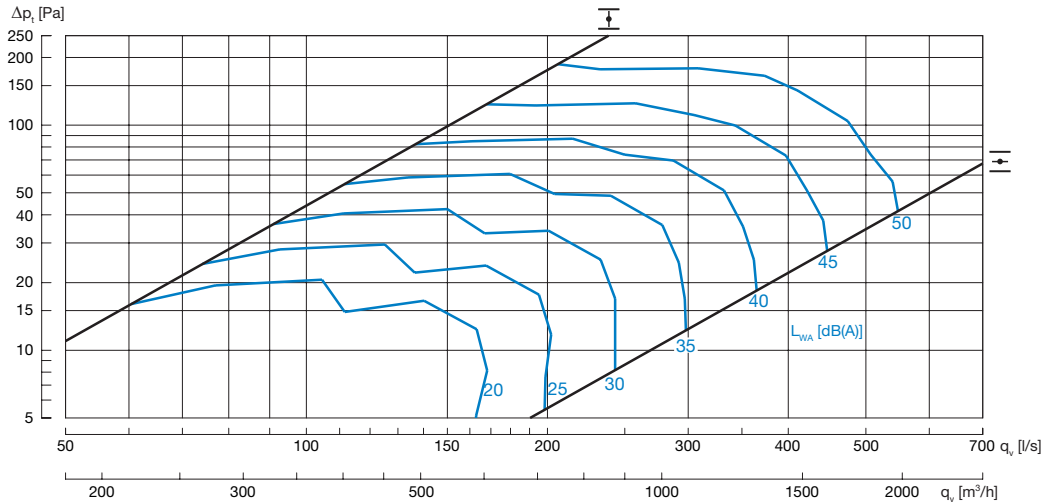
EXAD

Technical data

EXAD-250



EXAD-315



EXAD-400

