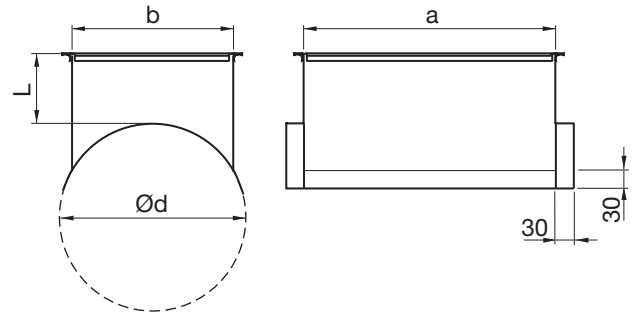


Collar on circular duct

LPSR



Dimensions



Description

The collar is used for connection to circular duct. The rectangular end is provided with joining profiles type RJFP. The rounded end has an edge, for fixing with blind rivets or self-tapping screws.

Other lengths can also be supplied.

Ordering example

Product	LPSR	600	300	400	100
Side	a				
Side	b				
Diameter	Ød				
Length					