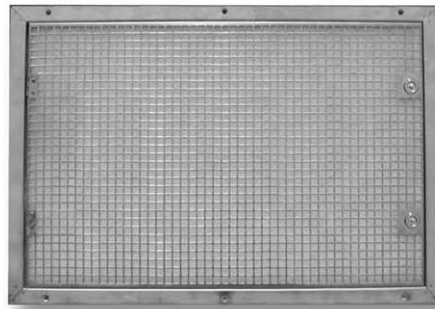


Filter grille

Filter grille FR

Application

Grilles with a filter are intended to be built in the walls of rooms which require cleaner air (computer centres, libraries, clean rooms, etc.). Primarily used for exhaust air from the room.



Description

Grilles are made of stainless (polish) sheet metal. The installed filter is of G3, G4 or of M5 quality.

Dimensions

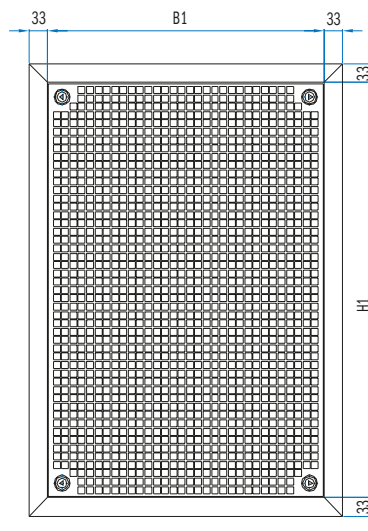
Standard dimensions of louvres are 225 x 225 mm to 625 x 625. The depth of the grilles is 35 mm.

Installation

Grilles may be fixed with visible screws (V marking, screws on the grille frame) or hidden into the installation frame (marking 2, grille is fastened on the installation frame with the lock on the internal side of the grille. Installation frame shall be fixed on the wall before the installation of the grille.)

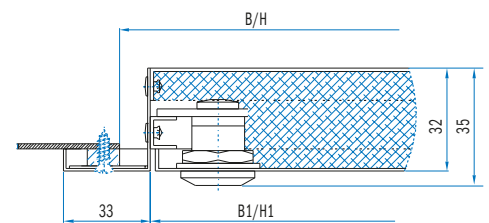
Filter replacement

Due to the dirtiness of a filter, the pressure drop on a louvre gradually increases, therefore it is necessary to replace the filter. The replacement of a filter is quick and simple. Lock may be used to open the grille and replace dirty filter with the new one. The mask is then closed by means of a lock.



Installation:

1. by screws (designation V)



2. onto the installation frame (designation 2)

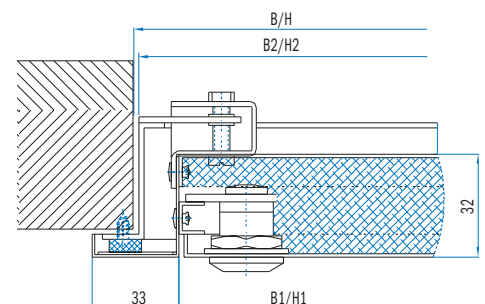


Table 1: Dimensions and weight

B	H	B1	B2	H1	H2	Weight [kg]	
						FR/2	FR/V
225	225	198	222	198	222	1.4	0.8
325		298	322			1.8	1.1
425		398	422			2.1	1.3
525		498	522			2.5	1.6
625		598	622			2.8	1.8
325	325	298	322	298	322	2.1	1.4
425		398	422			2.6	1.8
525		498	522			3.1	2.1
625		598	622			3.5	2.5
425	425	398	422	398	422	3.1	2.2
525		498	522			3.6	2.6
625		598	622			4.2	3.0
525	525	498	522	498	522	4.2	3.2
625		598	622			4.9	3.6
625	625	598	622	598	622	5.6	4.2

Note: Deviation of weight is ±10 %.

Ordering key

FR / V / M5 / F B x H

