



Protects Life and Property

## Lindab **Protect**

Clapeta anti foc FNC1U - EI60S





## Instalare usoara si rapida

FNC1U este o clapeta anti foc conceputa sa previna ca focul si gazele sa se raspandeasca prin sistemul de ventilatie.

Puteti instala clapeta in toate aplicatiile standard, perete usor, rigid, podea sau plafon sau la distanta fata de perete.

FNC1U este conceput cu focus pe a simplifica instalarea in timp ce este mentinuta fiabilitatea si siguranta.



**BELIMO**

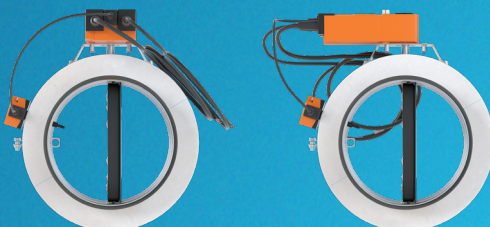


**SIEMENS**



# Caracteristici

## Optiune de montare a motorului paralel sau perpendicular



## 4 elemente de prindere integrate

- accesorii atasate in siguranta
- faciliteaza instalarea

## Senzor de temperatura pre-instalat

- faciliteaza instalarea
- fara obiecte nesecurizate

## Garnitura Lindab SAFE

- instalarea rapida si sigura
- clasa de etanseitate D







**Functioneaza cu motoare  
Belimo si Siemens**



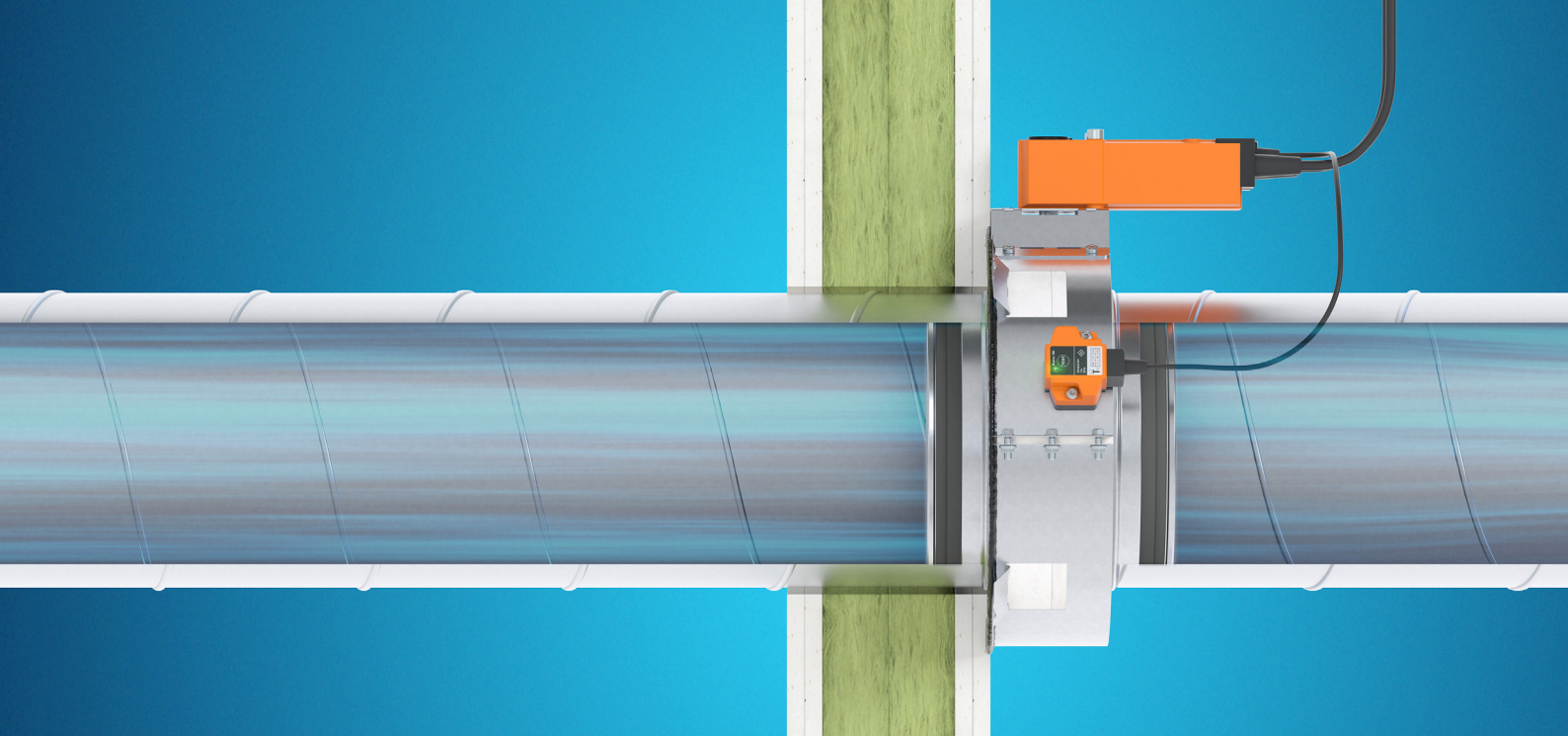
**Lamela clapetei**

– Lamela subtire, (pierdere de presiune mica)

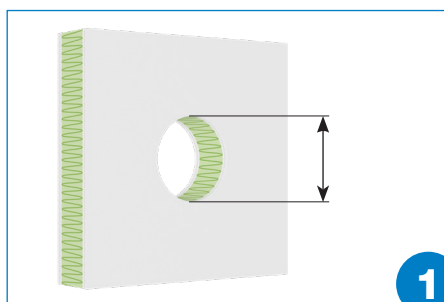
**Diametre**

– Ø 100–400 mm



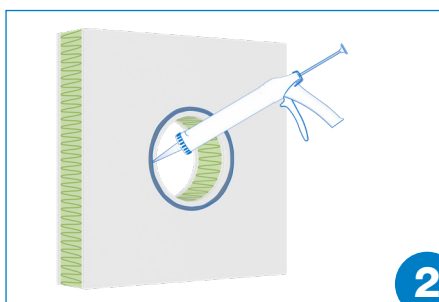


## Instalare usoara si rapida



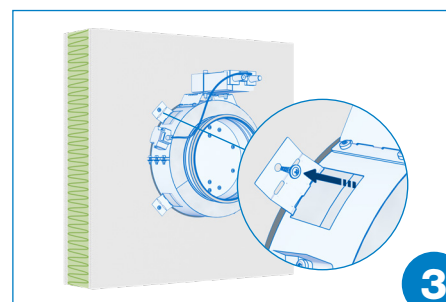
1

Taiati o gaura in perete. Diametrul tubului +10 mm sau +40 mm.



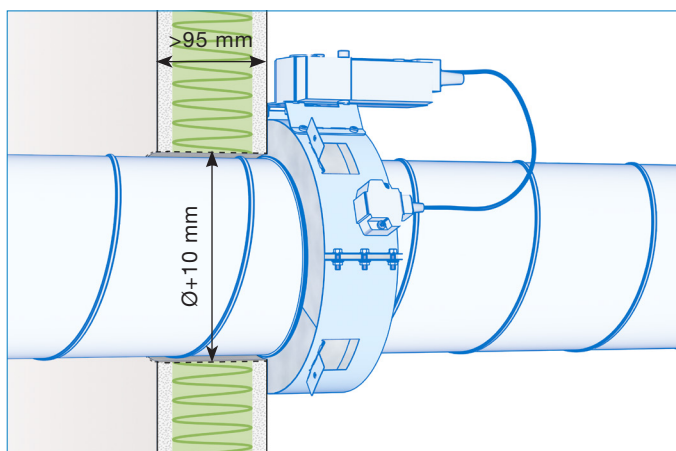
2

Etansati cu mastic intre perete si circumferinta clapetei.



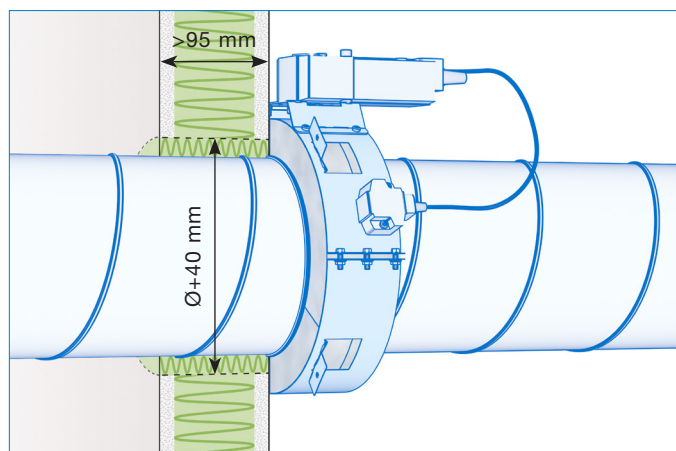
3

Indoiti suportii inspre perete si prindeti-i cu suruburi.



### Alternativa: 1 ( $\varnothing +10\text{ mm}$ )

Nu este necesara izolatie suplimentara.



### Alternativa: 2 ( $\varnothing +40\text{ mm}$ )

Umpleti si inchideti golul din perete cu vata minerala >35 kg/m<sup>3</sup>, si etansati cu mastic rezistent la foc.

## Clasificare

Test foc	EN 1366-2
Clasificare	EN 13501-3
Certificare CE	EN 15650
Etanseitate	EN 1751
Fiabilitate fuzibil	ISO 10294-4
Marcaj P	Yes

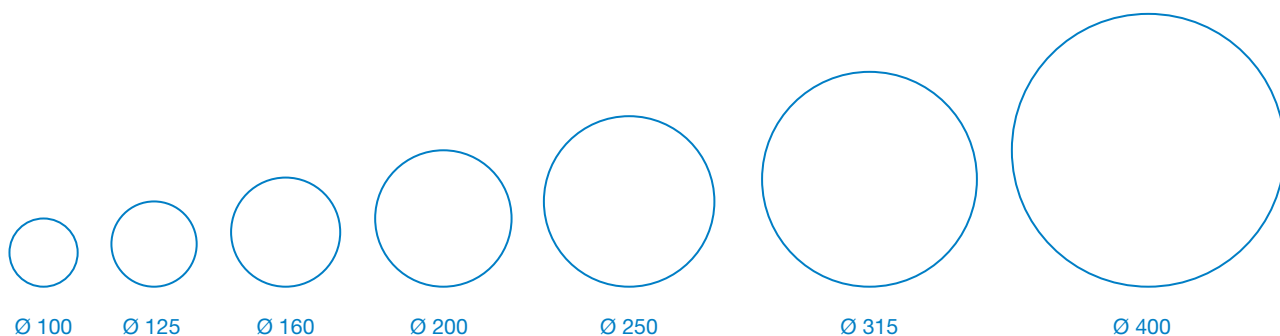
Pentru o clasificare completa, vedeti Declaratia de performanta.

## Actuator Belimo

Alimentare (VSS)	AC	24 (19-29) V
	DC	24 (21-29) V
Alimentare (DSB)	AC	230 (198-264) V
Diametru cabluri	Power supply	2 x 0,75 mm <sup>2</sup>
	Auxiliary switches	2 x 0,75 mm <sup>2</sup>
Consum energie (VSB)	24 V	2,5 W
Consum energie (DSS)	230 V	2,5 W
clasa IP		54
Temperatura ambientala		-30 to +55 °C
Umiditate maxima ambientala		< 95 % r.h
Cuplu motor		Min. 4 Nm
Cuplu arc revenire		Min. 3 Nm

## Actuator Siemens

Alimentare (VSS)	AC	24 (± 20 %) V
	DC	24 (± 20 %) V
	DC	48 (± 20 %) V
Alimentare (DSS)	AC	230 (± 15 %) V
Diametru cabluri	Power supply	2 x 0,75 mm <sup>2</sup>
	Auxiliary switches	6 x 0,75 mm <sup>2</sup>
Consum energie (VSS)	24 V	2 W
Consum energie (DSS)	230 V	3,5 W
clasa IP		54
Temperatura ambientala		-32 to +50 °C
Umiditate maxima ambientala		< 95 % r.h
Cuplu nominal		4 Nm





## Good Thinking

**At Lindab**, good thinking is a philosophy that guides us in everything we do. We have made it our mission to create a healthy indoor climate – and to simplify the construction of sustainable buildings. We do that by designing innovative products and solutions that are easy to use, as well as offering efficient availability and logistics. We are also working on ways to reduce our impact on our environment and climate. We do that by developing methods to produce our solutions using a minimum of energy and natural resources, and by reducing negative effects on the environment. We use steel in our products. It's one of few materials that can be recycled an infinite number of times without losing any of its properties. That means less carbon emissions in nature and less energy wasted.

**We simplify construction**